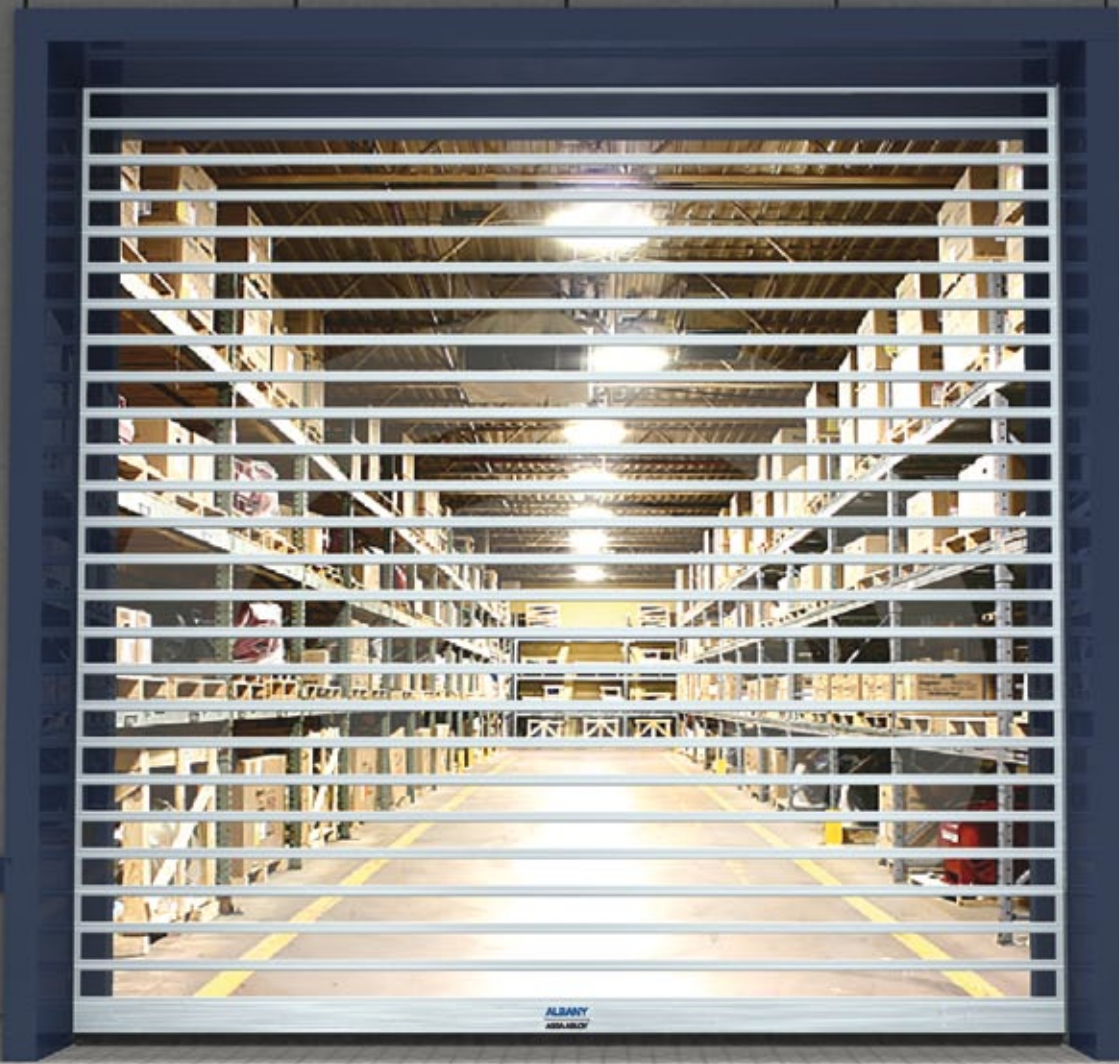


High performance door Albany RR3000 Series

ASSA ABLOY

ASSA ABLOY Entrance Systems

The global leader in
door opening solutions



The Albany RR3000 Series

Albany RR3000 series combine the greatest functionality with modern design. Their outstanding engineering makes the doors extremely fast, safe, robust and guarantees an extremely long service life with low maintenance needs. The stylish modern design, achieved by using flat aluminium slats and large windows, ensures an attractive appearance and perfect integration into building facades.



VARIETY OF MODELS

Apart from the illustrated standard version of the Albany RR3000 there are several versions available: The Albany RR3000 R for confined assembly spaces, the Albany RR3000 XXL for large openings, the Albany RR3000 Vision for a high level of transparency. Please apply to the separate data sheet for details regarding our new hybrid door Albany RR3000 ISO with a high degree of insulation.

DOOR MATERIAL

The side frames are manufactured from galvanised steel and can optionally be powder-coated in a wide variety of RAL colours.

DOOR CURTAIN

The following designs are available:

- Double-walled aluminium slats, anodized without windows, optional with window slats made of impact resistant Polycarbonate (PC)
- Clear Polycarbonate (PC) window slats, transparency > 70%
- Perforated slats

The aluminium slats can be coated in a wide variety of RAL colours, custom colours are also possible.

ACTUATORS

Modifications to individual required functions can be implemented with additional safety devices such as infrared or radar motion detectors and a wide variety of industrial actuators (switches, induction loops, radio transmitters etc.). We are happy to advise you and put together a tailor-made configuration for you.

BOTTOM PROFILE

A profile with a lengthened flexible seal, which may optionally be extended, is used to seal the door against the floor.

MATCHING PEDESTRIAN DOOR

If desired, a pedestrian door of identical appearance can be supplied as an option.



RAPID SERVICING AND MAINTENANCE

The entire door structure has been developed with minimum service and maintenance effort in mind. For example, thanks to their individual fastening at the rubber belt, each slat can be replaced individually, rapidly and easily.



INSULATION

For an optimum of thermal insulation with a minimum of heat loss we have added our new hybrid door Albany RR3000 ISO to our range. All details can be found on our separate data sheet.

CONTACTLESS WINDING

The innovative DiscDrive technology used in the Albany RR3000 supports the door curtain movement thereby ensuring a long service life. The aluminium slats are wound onto winding discs without contact. Using this technology, the door can be opened and closed very quickly and with very low wear.



MOTOR AND TOP ROLL COVER

Motor and top roll covers of anodised aluminium are available as an option. Inspection covers to the side can be opened for servicing work.



MOTOR POSITION

The gear motor can be positioned on the right or on the left side of the door. The drive is integrated into the side frame in the Albany RR3000 R.

CONTROL SYSTEM

The Albany RR3000 is equipped as standard with the Albany MCC frequency converter control, which permits high opening and closing speeds, and also a gentle, quiet, and hence low-wear motion sequence.

The compact control unit is integrated in the door's design and mounted beside the drive. The hardware and software can be customised to meet customer-specific requirements and expanded by additional functions as needed.



CONTROL UNIT

The user-friendly graphical control unit with a display gives the user information about the current status of the door and all of the important technical parameters by means of plain text at any time. In addition, the system stores all operating and service data and shows for example, when a new service date is pending.



MANUAL ACTIVATION

In the event of a power failure the door can be opened manually with the use of a brake release handle. The door is partially opened automatically by a spring system in the side frames.



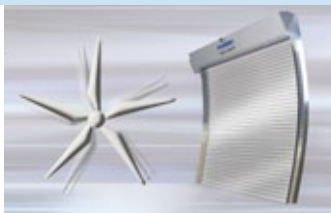
SAFETY FEATURES

The Albany RR3000 is equipped as standard with a contactless, pre-running photocell on the leading closing edge and a stationary photocell which prevent the door from closing as long as persons or objects are in the closing plane.




WIND LOADS

Depending on the model and door size, the Albany RR3000 meets the requirements of classes 2, 3 or 4 as specified in EN 12424.





The basic model **Albany RR3000**

- The exterior door for busy doorways
- High opening speed (max. 2,3 m/s)
- High wind class 3/4 in accordance with EN 12424
- Dimensions up to 5 x 5 m
- Double-walled aluminium slat curtain, optionally with windows or perforated slats for ventilation
- Good noise insulation
- Optionally also available as a laser protection door 



The transparent one **Albany RR3000 Vision**

Basic model

- + Maximum transparency and translucency > 70%
- + Large, crystal-clear Polycarbonate PC panes, set in anodized aluminium profiles
- + Ideal for use in showrooms





The space-saver Albany RR3000 R

Basic model

- + Minimum lintel space
- + Motor built into the side frame
- + Slender side frames for doors $\leq 3,8$ m wide
- + Curtain variants with perforated slats
- + Ideal for use in underground garages



The big one Albany RR3000 XXL

Basic model

- + Can be supplied in sizes up to 8 m wide and 6 m high
- + Ideal for use in industrial buildings of large vehicles traffic



Our new energy efficient hybrid high performance door Albany RR3000 ISO

The Albany RR3000 is part of the 3000 range. The lamellas wind up contactless ensuring a quiet and a low wear door run.

The standard curtain of the Albany RR3000 ISO is made of high insulating thermally separated sandwich lamellas with a 50 mm thick foam core and silver coloured metal sheet covers (RAL 9006).

Please refer to our separate data sheet for further details regarding this product.



Albany RR3000 Series High performance door

TECHNICAL DATA	Albany RR3000	Albany RR3000 Vision	Albany RR3000
Application	As an exterior or interior door also suitable as a laser protection door	Suitable as an exterior or interior door	As an exterior or interior door machinery protection door
Wind resistance	Class 3-4 - EN 12424	Class 3-4 - EN 12424	Class 3-4 - EN 12424
Door dimension (mm) (DW min./max.) (DH min./max.) Door area Side frame excluding motor	600 / 5000 mm 2500 / 5000 mm 25 m ² 325 mm	600 / 5000 mm 2500 / 5000 mm 25 m ² 325 mm	600 / 6000 mm 1500 / 3000 mm ¹⁾ 18 m ² 220 mm (360 mm for wide)
Opening direction	vertical		
Covers Top roll cover/motor cover	• Aluminium ¹⁾		

Surface material			
Side frames	✓ Galvanised steel • RAL powder-coated		

Door curtain			
Anodised aluminium slats	✓	-	✓
Isolation	•	-	•
Coloured profiles (RAL)	•	-	•
Profiles with windows	•	-	•
Anodised aluminium with crystal clear Polycarbonate panes	-	✓	-
Lengthened flexible seal	•	•	•

Drive unit/control system			
Drive unit	electric		
Albany MCC	✓	✓	✓
Chain drive to reduce the mounting space to the side	•	•	-
Motor power	1,1 kW		
Opening/closing speed up to max.	2,3 / 0,7 m/s	1,8 / 0,7 m/s	2,0 / 0,6 m/s
Fuse protection	10 A		
Control voltage	24 V DC		
Protection degree	IP 55		
Mains connection	3L(N)/PE 380/400/415/440/480V, 50/60 Hz / Vortrafo erforderlich für		
Additional opening height	✓	✓	✓
Potential-free contacts	•	•	•

Safety			
Electrical safety contact edge	•	-	•
Door line photocell	✓	✓	✓
Pre-running photocell	✓	✓	✓
Curtain tension	✓	✓	✓
Counterbalance	✓	✓	✓
Self-opening, partial	✓	✓	✓
Manual operation with Bowden cable	✓	✓	✓
Break release lever outside	•	•	•

Traffic light function	
Without direction detection	✓ 24 V DC
With direction detection	✓ 24 V DC
Flashing alarm light	✓ 24 V DC
Error message	✓ Text

RR3000 R	Albany RR3000 XXL
Door and as a laser or	As an exterior or interior door
	Class 3-4 - EN 12424
	1000 / 8000 mm 2500 / 6000 mm 36 m ² 350 mm
th > 3800)	

--	--

	✓
	•
	•
	•
	-
	•

	✓
	-
	1,8 / 0,6 m/s

220/230/500V	✓
	•

	•
	✓
	✓
	-
	✓
	✓
	✓
	•



ALBANY RR3000 ISO

Please refer to our separate data sheet for the technical data of the Albany RR3000 ISO.

SAFETY

The door is designed according to the Workplace Directive of the UVV regulations and the harmonized CE Guidelines including the EN 13241-1.

NOTES

The door safety devices are designed for the normal use of power-operated doors in accordance with the harmonized CE Guidelines. In addition to this, difficult environmental conditions may affect the proper use. For more information or to schedule an on-site inspection, please contact an ASSA ABLOY Entrance Systems sales engineer for Albany Products.

- Option
- ✓ Standard
- not possible

1) For doors with a height < 2500 mm the use of top roll and motor cover is required according to standard EN 13241-1.



Underground garage



Facade design



Logistics



Logistics



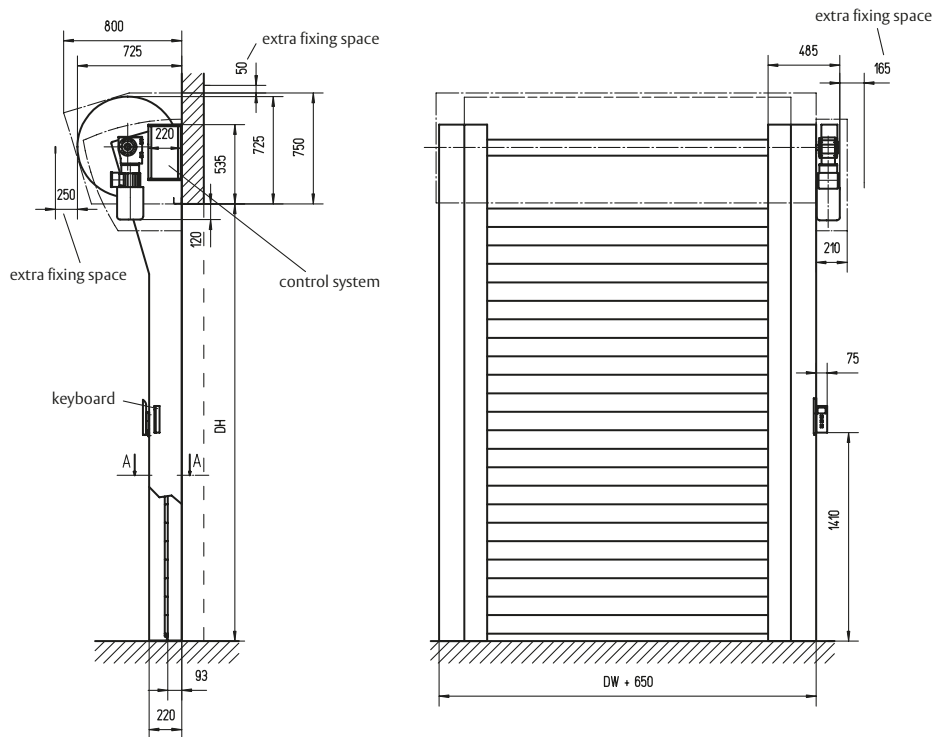
Paint design



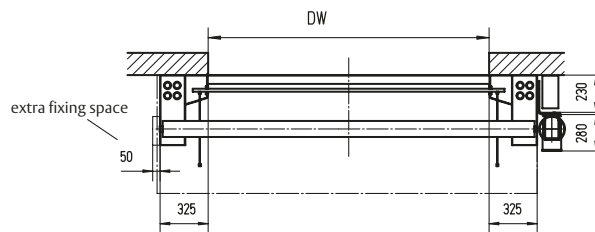
Car dealer test facility

General drawing / Fixing plan

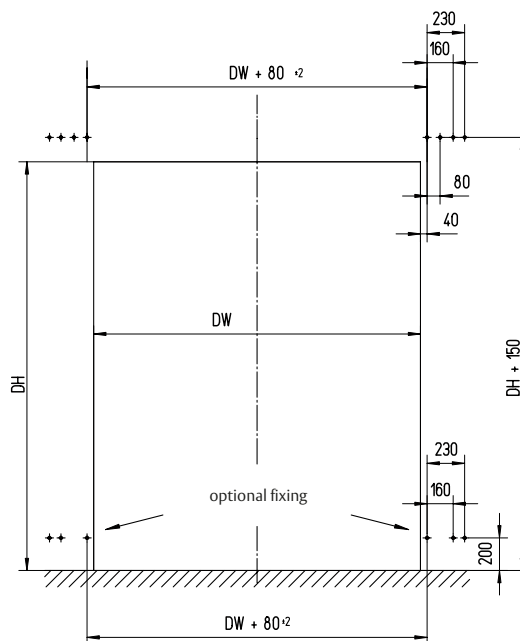
Albany RR3000 / RR3000 Vision



view
A-A



Zg.-Nr. 8300R0008/13
Date: 2010-10-06



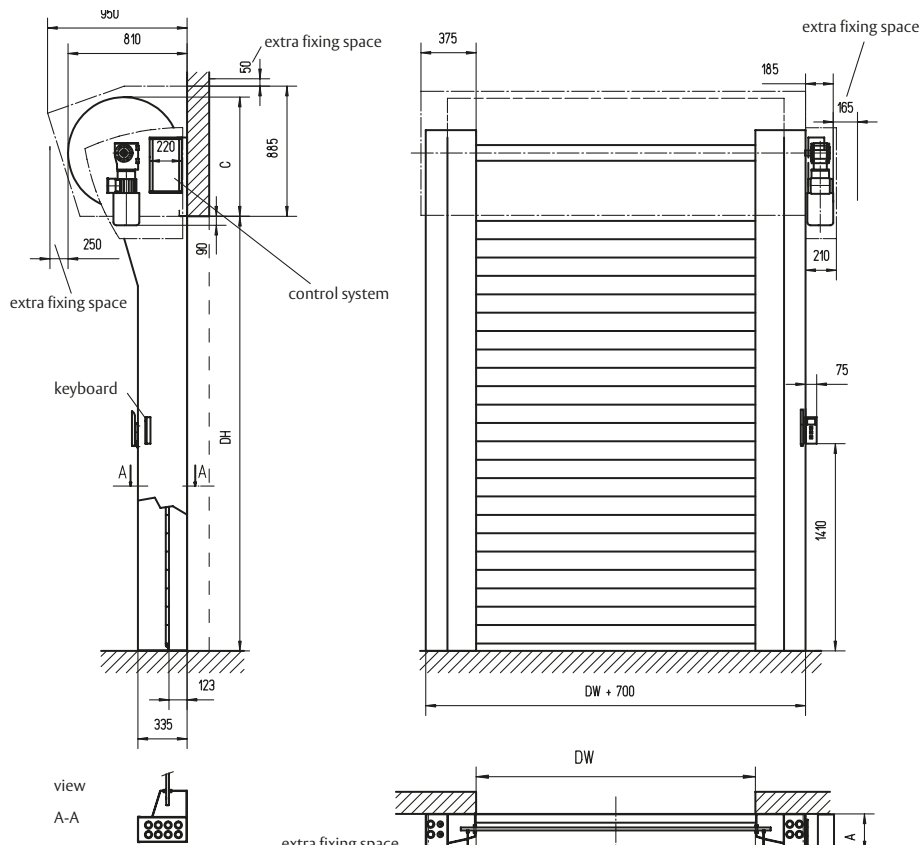
fixing screws M12 or comparables



Zg.-Nr. 8300R0007/4
Date: 2010-11-22

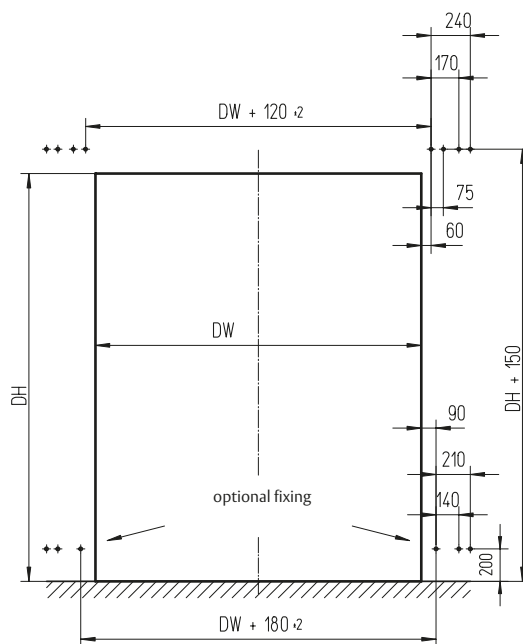
General drawing / Fixing plan

Albany RR3000 XXL



	A	C	top roll cover	B
RR3000 XXL (DH > 5000)	300	850	with	100
RR3000 XXL (DH ≤ 5000)	270	740	without	50

Zg.-Nr. 9300R0008 Rev.0
Date: 2012-07-17



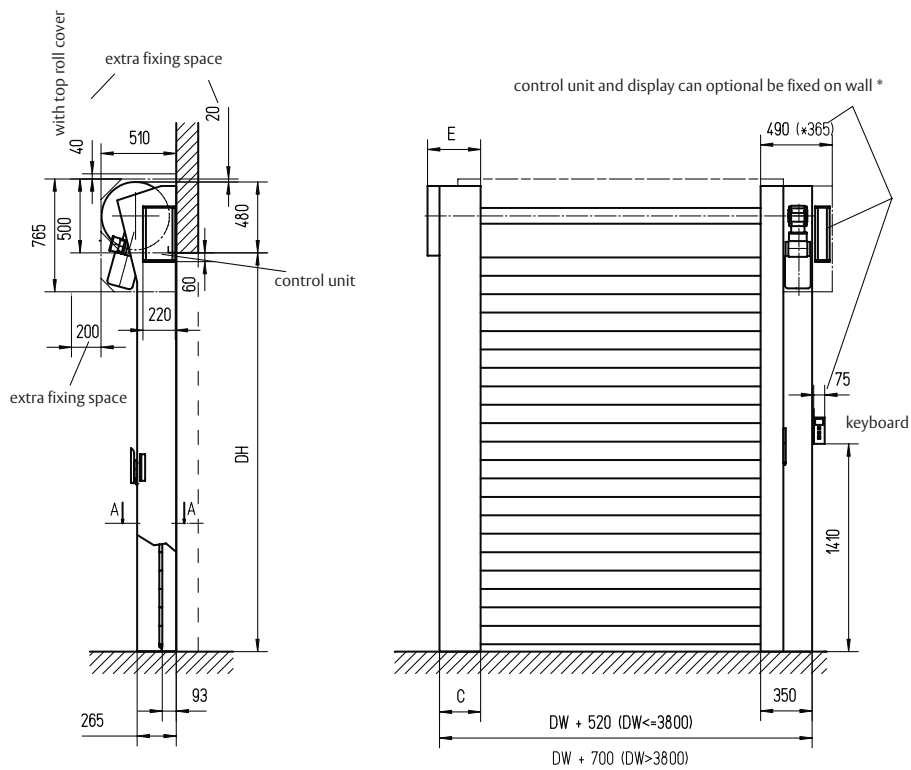
fixing screws M12 or comparables



Zg.-Nr. 8300R0030
Date: 2008-10-15

General drawing / Fixing plan

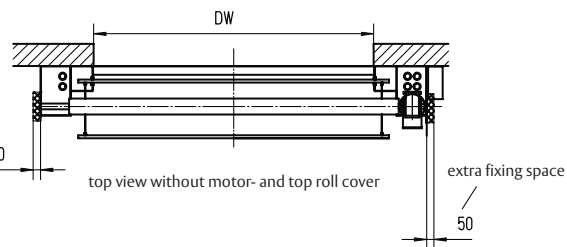
Albany RR3000 R



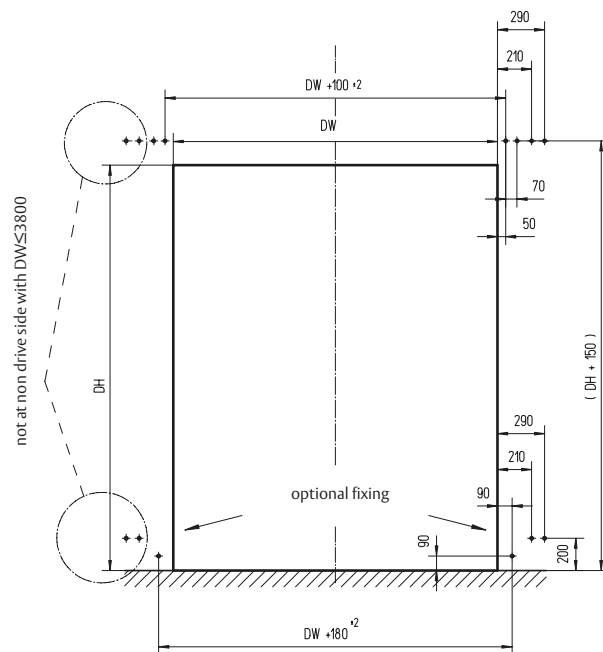
view
A-A



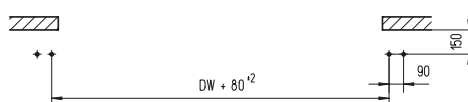
DW	C	E
≤ 3800	170	230
> 3800	350	360



Zg.-Nr. 8300R0018/5
Date: 2012-07-18



fixing screws M12 or comparables

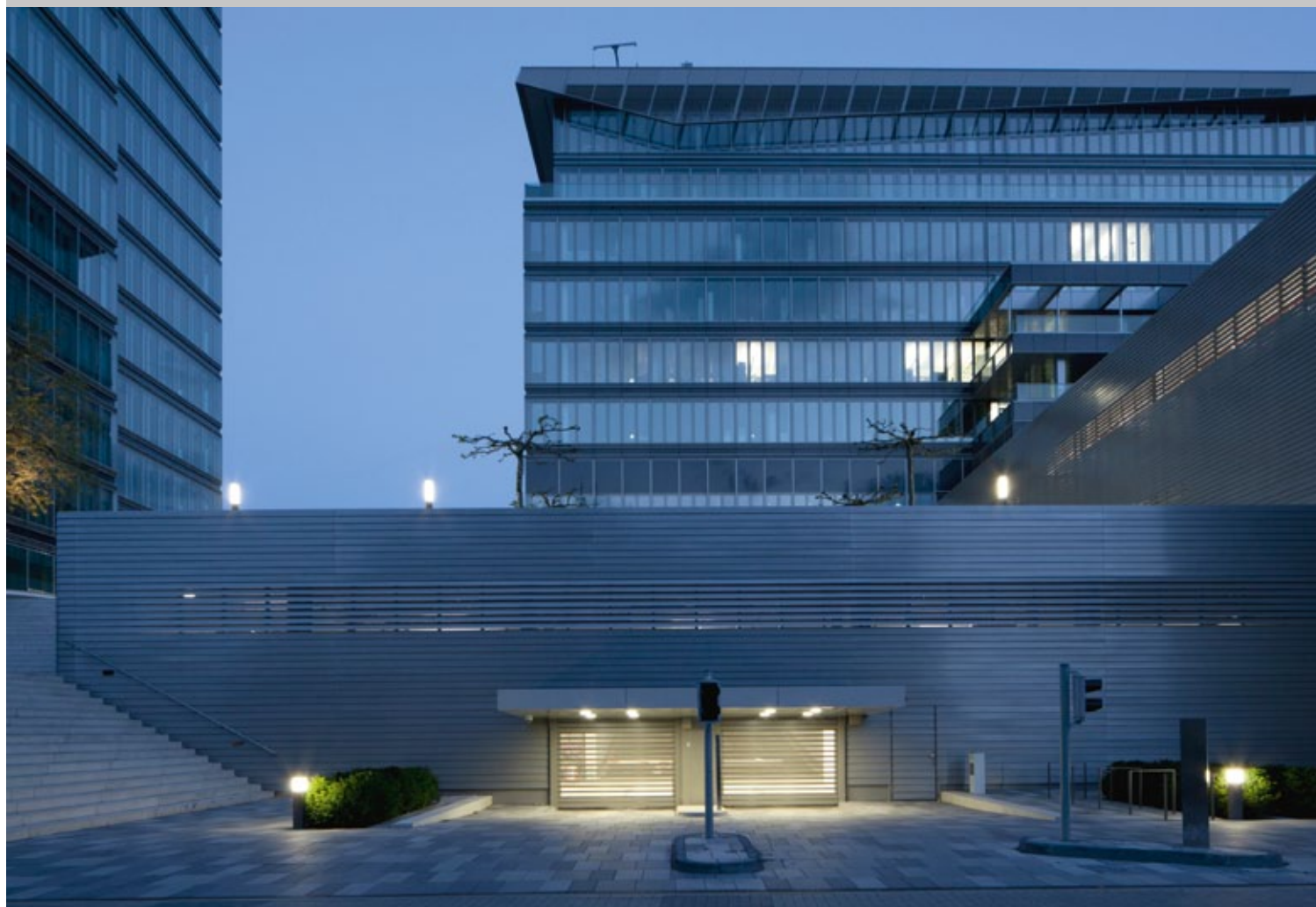


Zg.-Nr. 8300R0019/ Rev.a
Date: 2006-05-22

ASSA ABLOY Entrance Systems is a leading supplier of entrance automation solutions for efficient flow of goods and people. With our globally recognized product brands Besam, Crawford, Megadoor and Albany, we offer products and services dedicated to satisfying end-user needs for safe, secure, convenient and sustainable operations.
ASSA ABLOY Entrance Systems is a division within ASSA ABLOY.

ASSA ABLOY

assaabloyentrance.com



ASSA ABLOY Entrance Systems

info.aaes@assaabloy.com
assaabloyentrance.com

Follow us:



Please enter ASSA ABLOY Entrance in the channel's search field.