

Product datasheet

Dock leveller
Crawford DL6020TR

ASSA ABLOY

ASSA ABLOY Entrance Systems

The global leader in
door opening solutions



Copyright and Disclaimer Notice

Although the contents of this publication have been compiled with the greatest possible care, ASSA ABLOY Entrance Systems cannot accept liability for any damage that might arise from errors or omissions in this publication. We also reserve the right to make appropriate technical modifications/replacements without prior notice.

No rights can be derived from the contents of this document.

Color guides: Color differences may occur due to different printing and publication methods.

ASSA ABLOY, Besam, Crawford, Megadoor and Albany, as words and logos, are examples of trademarks owned by ASSA ABLOY Entrance Systems or companies within the ASSA ABLOY Group.

Copyright © ASSA ABLOY Entrance Systems AB 2006-2014.

No part of this publication may be copied or published by means of scanning, printing, photocopying, microfilm or any other process whatsoever without prior permission in writing by ASSA ABLOY Entrance Systems.

All rights reserved.

Contents

Copyright and Disclaimer Notice	2
Contents	3
1. Description	4
1.1 Application	4
2. Replacement procedure	5
3. Pit dimensions form	7
4. Service	9
Index	10

1. Description

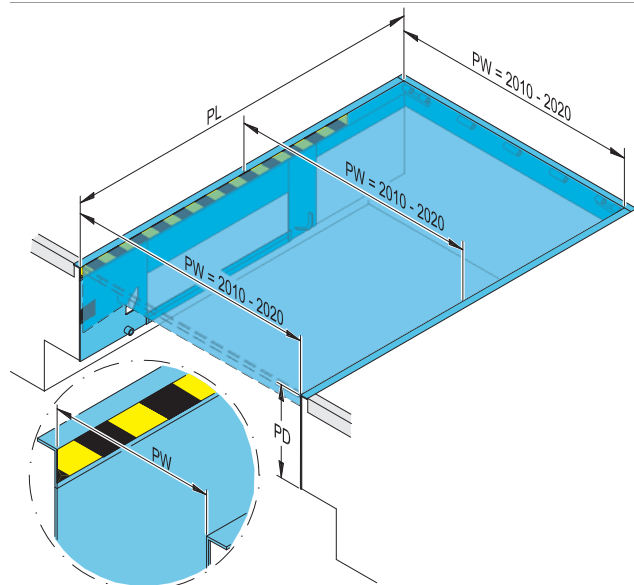
1.1 Application

The Crawford DL6020TR teledock replacement replacement F-frame is a cost-effective upgrade solution to replace obsolete dock levellers. It is designed to weld the leveller directly to the old existing leveller's frame. The existing old leveller frame must be hanging from 3 sides (like type T or W) and must be in good condition. This new replacement solution was especially developed for the replacement of existing levellers installed in an open pit - not only in a closed pit. As part of the Crawford DL6020TR teledock replacement, this system meets the standard demands of most loading operations and fully complies with rules and regulations of the European Standard EN 1398. This solution is available for the 60kN teledock leveller. For detailed information about the Crawford DL6020TR teledock replacement, please refer to the respective product datasheet.

2. Replacement procedure

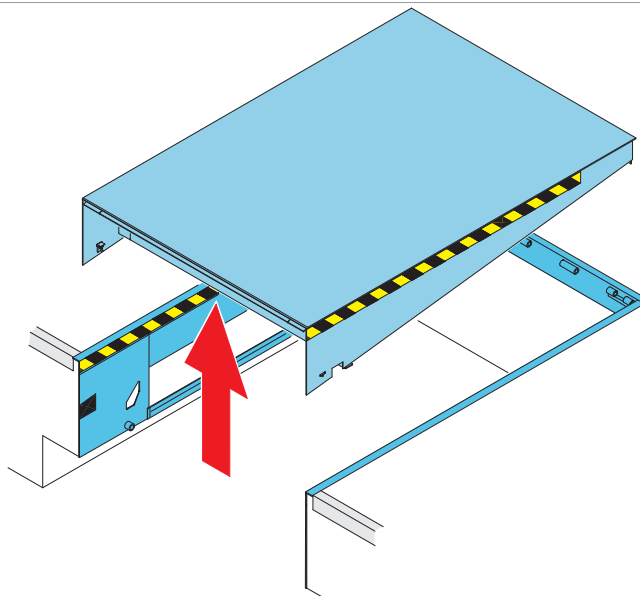
Step 1

Check the dimensions of the existing pit



Step 2

Remove existing leveller



The replacement F-frame is only available in standard width NW 1960 mm [requires PW = 2010-2010 mm].

Remove the old leveller.
 Leave the old leveller's steel frame in the pit

The following sizes are available.*

Existing pit

PL 1990 mm

PL 2490 mm

PL 2990 mm

PD 610 mm

PD 710 mm

PD 810 mm

New leveller

NL 2000 mm

NL 2500 mm

NL 3000 mm

LH 600 mm

LH 700 mm

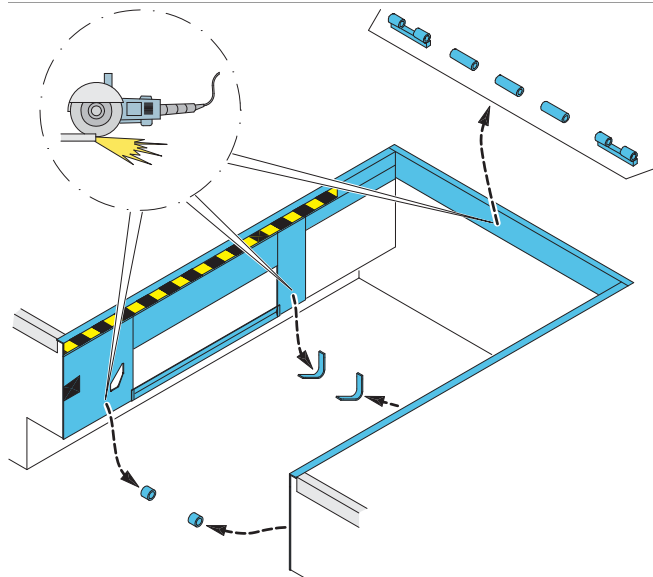
LH 800 mm

*Other sizes are available on request.

Use the Pit Dimensions Form - page 7 of this product datasheet.

Step 3

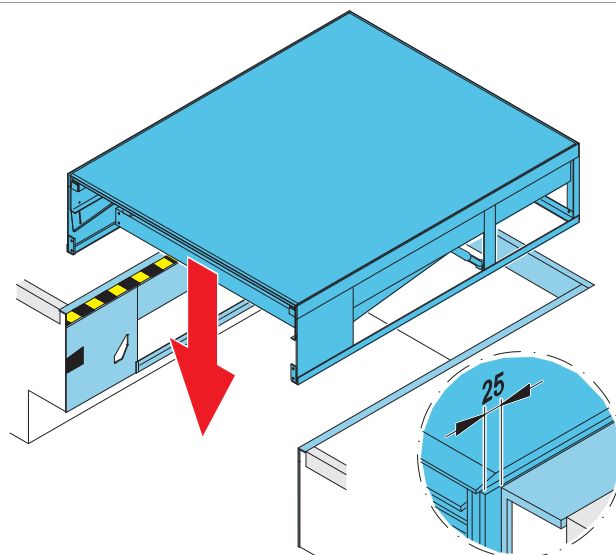
Prepare the pit for the new leveller



Cut away the rear hinges. Completely disconnect the old leveller's platform from the pit. Keep the old leveller's steel frame in the pit.

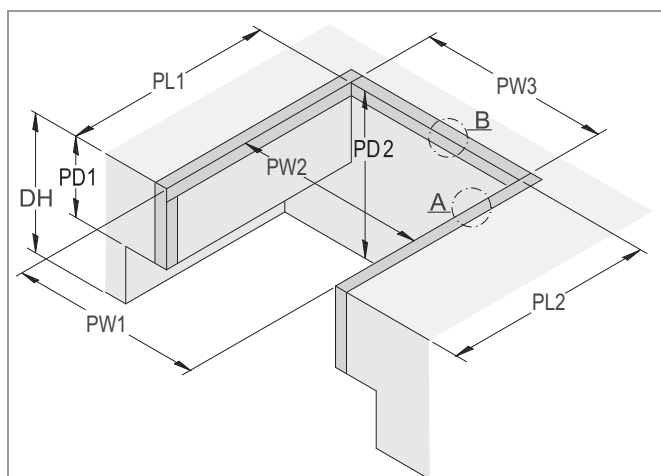
Step 4

Place new leveller

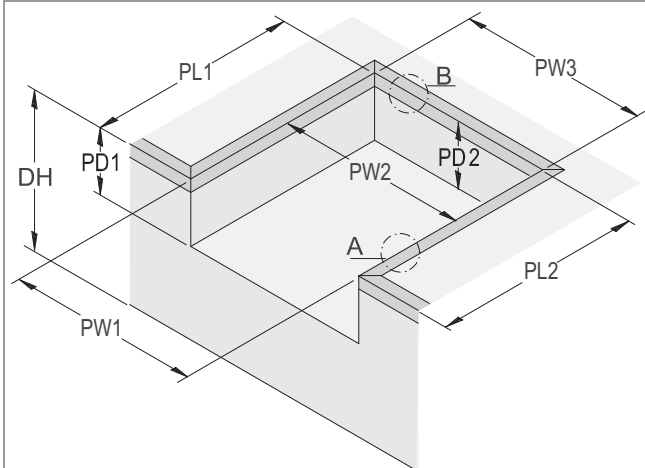


Weld the new leveller directly to old existing leveller's frame on all three sides. When installed, the front end of the new leveller will exceed the dock edge by 25 mm.

3. Pit dimensions form



With tail lift recess



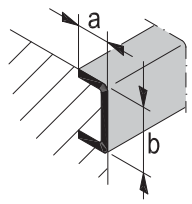
Without tail lift recess

Please sketch other kind of profile with dimensions

Other pit design

Pit dimensions (plain steel dimensions)

PL1	=	[mm]	pit length left
PL2	=	[mm]	pit length right
PW1	=	[mm]	pit width front
PW2	=	[mm]	pit width middle
PW3	=	[mm]	pit width back
PD1	=	[mm]	pit depth front
PD2	=	[mm]	pit depth back
DH	=	[mm]	dock height



existing dimensions

side

a =

mm

A

b =

mm

back

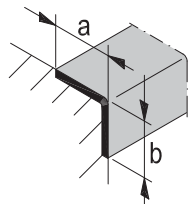
a =

mm

B

b =

mm



existing dimensions

side

a =

mm

A

b =

mm

back

a =

mm

B

b =

mm

Remarks:

4. Service

Preventive Maintenance Program and Modernization Services

As your entrances are part of your business flow, there's every reason to keep them working well. ASSA ABLOY Entrance Systems offers you a maintenance and modernization expertise to rely on. Our Maintenance Programs and Modernization Services are backed by a extensive expertise for all types of industrial door and docking systems, independent of brand. At your disposal is a team of dedicated expert technicians, proven through decades of maintenance, service and satisfied customers.

Preventive Maintenance Programs

Minimizing lost time, lost energy and unexpected hassle is our team's constant objective. Our service organization can support you 24/7 in maintaining all industrial door and docking systems, independent of brand. If you want to be one step ahead of break-downs, explore our portfolio of Pro-Active Care plans. Naturally, we also offer entrance upgrades to suit your specific wishes and business needs.

Pro-Active Care - Maintenance plans to fit your business

Regular maintenance can extend the lifetime of your equipment and help prevent unexpected problems. Our technician arrives on-site equipped with the knowledge and tools to service all automatic entrances, independent of brand.

- **Pro-Active Bronze**

The base on which all Pro-Active Plans are built provides the security of knowing that your equipment is regularly inspected and certified for safety, as well as performing optimally. It includes a number of planned on-site visits depending on your needs. Any unplanned service calls required during the term of the contract (including labor, travel and parts) are billed at special Pro-Active Care prices.

- **Pro-Active Silver**

This plan provides all the benefits of Pro-Active Bronze with the added advantage of labor and travel being included for service calls during regular business hours. The only additional charge would be for any parts that may be needed throughout the term of the contract.

- **Pro-Active Gold**

This plan provides the ultimate protection for your automatic entrance investment. It includes all the benefits of Pro-Active Silver, plus replacement of any parts required during an unplanned repair or planned maintenance visit. Pro-Active Gold is an excellent way to budget your automatic door expenses annually.

- **Pro-Active Tailor-Flex**

Our most flexible maintenance and service offering. The Pro-Active Care plan is designed by you, our customer. The plan allows you to balance your maintenance expenses against your real-world budget and presents the option to add or delete a number of maintenance elements to suit your budget goals, while meeting your overall performance and safety needs.

Modernization

Your entrances are a long-term investment, from which you always want the best. Products develop over time, so do regulations and your business. Let us help you increase energy savings and meet today's standards. We provide advice and modernization kits for outdated installations, ensuring your investment meet requirements and performs optimally for many more years to come.

Re-Active Service		Pro-Active Care				
Corrective	SafetyCheck	Pro-Active Bronze	Pro-Active Silver	Pro-Active Gold	Pro-Active Tailor Flex	
		○	○	○	●	Other customized requests such as Response Time, Performance InfoPack and Advanced User Training
		○	○	●	○	Replacement of worn parts according to preventive Consumable Exchange Program
		○	○	●	○	Replacement of spare parts on breakdowns
		○	●	●	○	Travel and labor for additional call-out visits
		●	●	●	●	Preventive maintenance visits 1-4 times per year
		●	●	●	●	Travel and labor for preventive maintenance visits
		●	●	●	●	Response time and priority on call-outs <24h
		●	●	●	●	Preventive planned maintenance that meets the most demanding standards in the market
	●	●	●	●	●	Safety and quality checks according to applicable regulations and norms. Documentation of test results provided
●	●	●	●	●	●	Documentation of equipment status, assessment and service provided, all generated on site
●	●	●	●	●	●	Highly trained professional technicians with extensive knowledge, state-of-the-art tools and the right spare parts*
●	●	●	●	●	●	Dedicated Professional Customer Care Hotline

● = Included as standard
 ○ = Available at special prices
 * Well-stocked service vehicles with genuine and new spare parts

Index

A	
Application	4
C	
Copyright and Disclaimer Notice	2
D	
Description	4
P	
Pit dimensions form	7
R	
Replacement procedure	5
S	
Service	9

ASSA ABLOY Entrance Systems is a leading supplier of entrance automation solutions for efficient flow of goods and people. With our globally recognized product brands Besam, Crawford, Megadoor and Albany, we offer products and services dedicated to satisfying end-user needs for safe, secure, convenient and sustainable operations.
ASSA ABLOY Entrance Systems is a division within ASSA ABLOY.

ASSA ABLOY

assaabloyentrance.com

Q2.0 - 2014



ASSA ABLOY Entrance Systems

Tel: +46 (0)10 4747 000
sales.aaes@assaabloy.com
assasabloyentrance.com