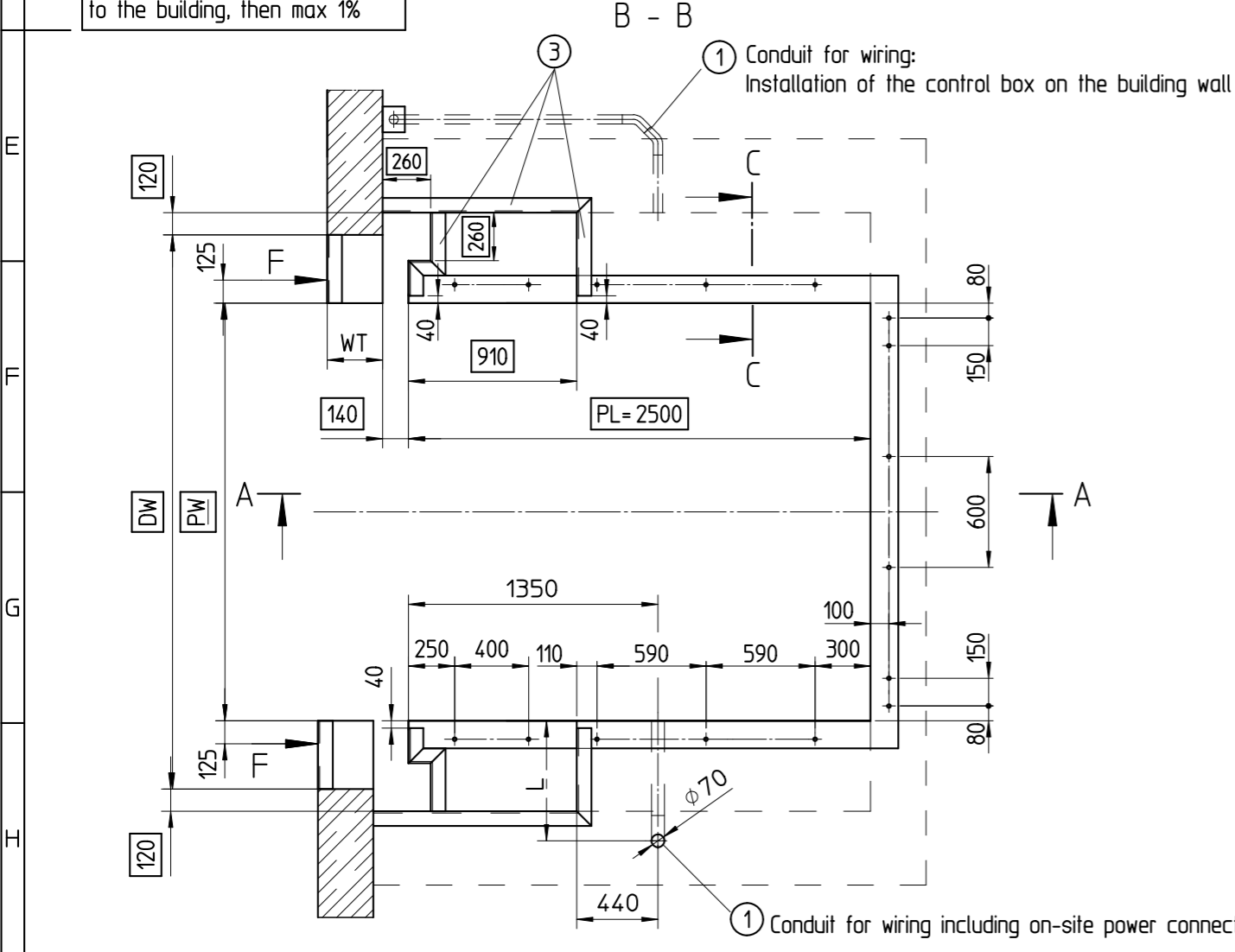
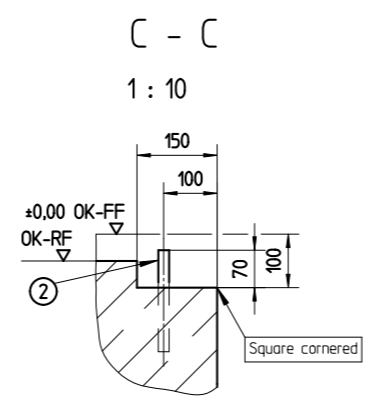


F = The horizontal impact load F (100kN) must be absorbed by the structure, recommended according to DIN 1055-9  
 F1 = 57kN cross traffic position  
 F2 = 45kN emergency stop  
 F3 = 12kN brake force



NW	PW	L
2000	2060	750
2200	2260	650



Attention! Suitable for sectional door OH1042P and OH1082P

DH = Dock height DW = Door width OK-FF= Finish floor level OK-RF= Floor base OK-H = Yard level PL = Pit length PW = Pit width NL = Nominal length NW = Nominal width LH = Leveller height WT = wall thickness n = number fish-tails		by others ① Conduit for wiring internal diameter min.70mm angles < 45° ② Plain steel dowel ø20 -200mm ③ Steel profile, e.g. angle 160x80x10	
Attention - Do not deviate from the measurements given - The pit walls must be vertical - The corners of the pit must be square (diagonals must be equal) - The preparation of the pit and the dowels by other		Material: _____ Semifinished product: _____ Printed: _____ Scale: 1 : 25 Weight: _____ Subject: DL6120ST in step 900x200 ISO T-frame NL=2500 LH=700	
It is forbidden by law to copy, duplicate this document, to transmit it to any third party or to misuse it in any way. The drawing remains our property and is to be returned immediately after use.		Version: 1	
Drawn: 18.08.2020 E. Strasser Released: 07.01.2021 L. Toparcean Blocked: _____ Archived: _____		Drawing Number: 5145.0196	
ASSA ABLLOY Entrance Systems		Sheet: 1 1 Sheets Format: A2	