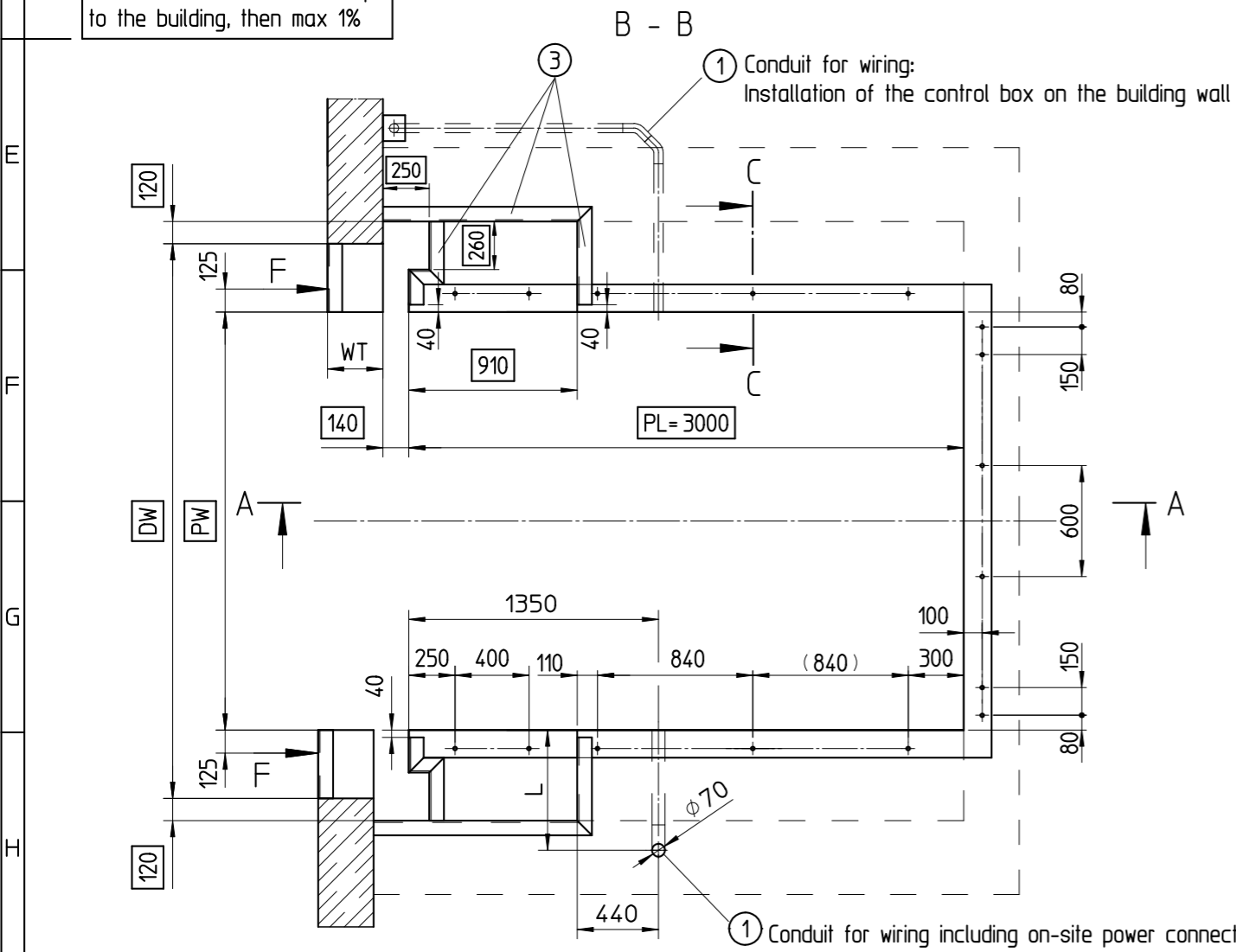


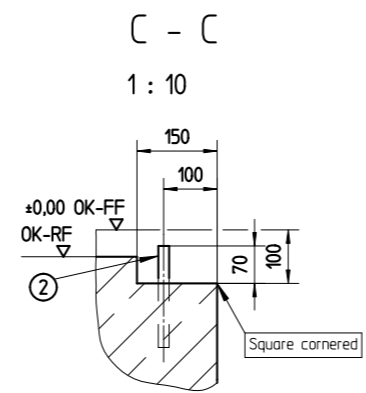
F = The horizontal impact load F (100kN) must be absorbed by the structure, recommended according to DIN 1055-9
 F1 = 57kN cross traffic position
 F2 = 45kN emergency stop
 F3 = 12kN brake force

Attention! Suitable for sectional door OH1042P and OH1082P

* Attention: If there is a slope to the building, then max 1%



NW	PW	L
2000	2060	750
2200	2260	650



DH = Dock height DW = Door width OK-FF= Finish floor level OK-RF= Floor base OK-H = Yard level PL = Pit length PW = Pit width NL = Nominal length NW = Nominal width LH = Leveller height WT = wall thickness n = number fish-tails		by others ① Conduit for wiring internal diameter min.70mm angles < 45° ② Plain steel dowel ø20 -200mm ③ Steel profile, e.g. angle 160x80x10	
Attention - Do not deviate from the measurements given - The pit walls must be vertical - The corners of the pit must be square (diagonals must be equal) - The preparation of the pit and the dowels by other		Version: 1	
It is forbidden by law to copy, duplicate this document, to transmit it to any third party or to misuse it in any way. The drawing remains our property and is to be returned immediately after use.		Material: _____ Semifinished product: _____ Printed: . Scale: 1 : 25 Weight: _____	
Drawn: 18.08.2020 E. Strasser Released: 07.01.2021 L. Toparcean Blocked: _____ Archived: _____		Date: _____ Name: _____ Subject: DL6120ST in step 900x200 ISO T-frame NL=3000 LH=750	
ASSA ABLLOY ASSA ABLLOY Entrance Systems		Drawing Number: 5145.0195 Sheet: 1 1 Sheets Format: A2	

① Conduit for wiring including on-site power connection: Installation of the control box on optional pillar